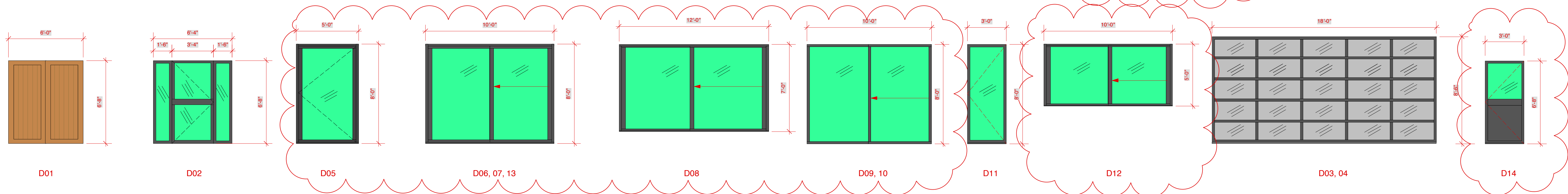


Door Schedule

http://www.fleetwoodusa.net/menu_bar/Products/3070-CR/sliding-door-norwood-3070CR.php http://www.fleetwoodusa.net/menu_bar/Products/3900/hinge-thermal-door-atlantic-3900.php <http://www.clopaydoor.com/aluminum-applications.aspx>

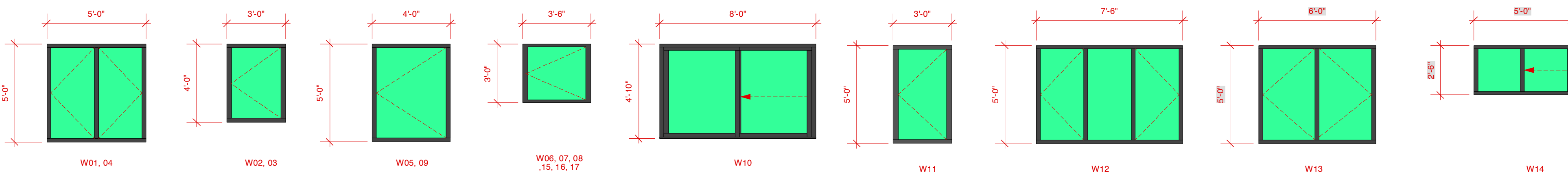
Mark	Nominal Size			Door Operation	Door Style	Slab Style	Side Lights	L Sidelt Wid	R Sidelt Wid	Glaz. Style	Door Frame				Door Data			Comments
	Width	Height	Thickness								Jamb Thick	Jamb Depth	Head Detail	Jamb Detail	Mfr	Model No.	Accessories	
D 01	6'0"	6'8"	1 3/4"	Swing Bi-part	Square	Solid	-	0"	0"	0	3/4"	7 3/8"	Thermal E		Supplied by Owner	n/a	n/a	finish by IDG
D 02	3'0"	6'8"	1 3/4"	Swing Simple	Square	Glass	✓	16"	16"	0	3/4"	7 3/8"	Thermal E		Fleetwood	Atlantic 3900	screens	black finish, thermal tinted glass
D 03	18'0"	8'6"	1"	Overhead	Square	Panel	-	0"	0"	0	3/4"	7 3/8"	Thermal E		Clopay	3715	n/a	black finish, thermal translucent glass
D 04	18'0"	8'6"	1"	Overhead	Square	Panel	-	0"	0"	0	3/4"	7 3/8"	Thermal E		Clopay	3715	n/a	black finish, thermal translucent glass
D 05	5'0"	8'0"	1"	Swing Simple	Square	Glass	-	0"	0"	0	2"	7 3/8"	Thermal E		Fleetwood	Norwood 3070-CR	screens	black finish, thermal tinted glass
D 06	10'0"	8'0"	1"	Slider	Square	Glass	-	0"	0"	0	2"	7 3/8"	Thermal E		Fleetwood	Norwood 3070-CR	screens	black finish, thermal tinted glass
D 07	10'0"	8'0"	1"	Slider	Square	Glass	-	0"	0"	0	2"	7 3/8"	Thermal E		Fleetwood	Norwood 3070-CR	screens	black finish, thermal tinted glass
D 08	12'0"	7'0"	1 3/4"	Slider	Square	Glass	-	0"	0"	0	3/4"	7 3/8"	Thermal E		Fleetwood	Norwood 3070-CR	screens	black finish, thermal tinted glass
D 09	10'0"	8'0"	1 3/4"	Slider	Square	Glass	-	0"	0"	0	3/4"	7 3/8"	Thermal E		Fleetwood	Norwood 3070-CR	screens	black finish, thermal tinted glass
D 10	10'0"	8'0"	1 3/4"	Slider	Square	Glass	-	0"	0"	0	3/4"	7 3/8"	Thermal E		Fleetwood	Norwood 3070-CR	screens	black finish, thermal tinted glass
D 11	3'0"	8'0"	1 3/4"	Swing Simple	Square	Glass	-	0"	0"	0	3/4"	7 3/8"	Thermal E		Fleetwood	Atlantic 3900	screens	black finish, thermal tinted glass
D 12	10'0"	8'0"	1"	Slider	Square	Glass	-	0"	0"	0	2"	7 5/8"	Thermal E		Fleetwood	Norwood 3070-CR	screens	black finish, thermal tinted glass
D 13	10'0"	5'0"	1"	Slider	Square	Glass	-	0"	0"	0	2"	7 3/8"	Thermal E		Fleetwood	Norwood 3070-CR	screens	black finish, thermal tinted glass
D 14	3'0"	6'8"	1 3/4"	Swing Simple	Square	Glass	-	0"	0"	0	3/4"	7 3/8"	Thermal E		Fleetwood	Atlantic 3900	screens	black finish, thermal tinted glass




Window Schedule

http://www.fleetwoodusa.net/menu_bar/Products/850/casement-window-everest-850.php

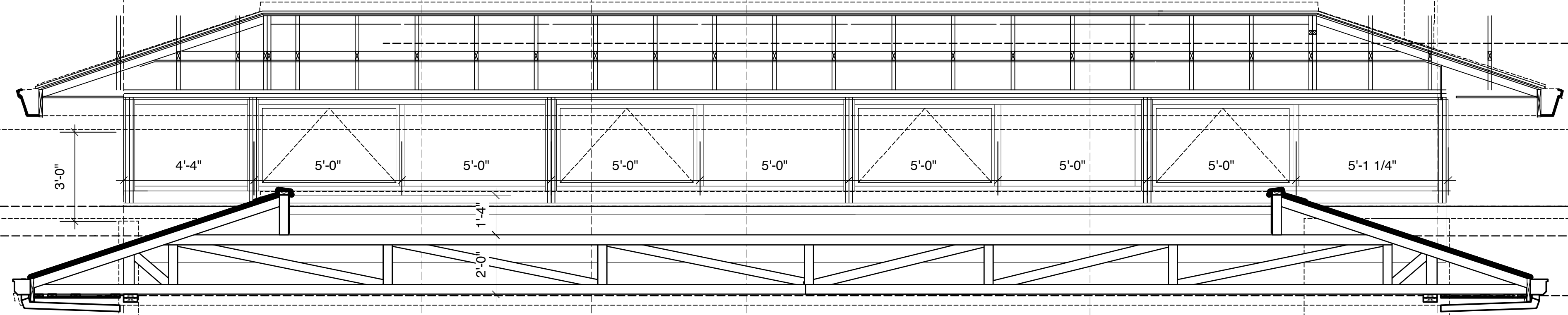
Mark	Nominal Size		Sash Operation	Window Style	Transom Sash	Glass	Frame Details			Openings			Window Data			Accessories	Comments	
	O.A. Width	O.A. Height					Head Detail	Jamb Detail	Sill Detail	Egress Win	RO Width	RO Height	Mas O Width	Mas O Height	Mfr			Model No.
W 01	4'0"	5'0"	Bi-parting Casement	Square	✓	thermal, tinted	Thermal E			FALSE	4'0 1/2"	5'0 1/2"	4'8"	5'4"	Fleetwood	Everest 850-C	Screens	black
W 02	3'0"	4'0"	Casement	Square	✓	thermal, tinted	Thermal E			FALSE	3'0 1/2"	4'0 1/2"	3'4"	4'8"	Fleetwood	Everest 850-C	Screens	black
W 03	3'0"	4'0"	Casement	Square	✓	thermal, tinted	Thermal E			FALSE	3'0 1/2"	4'0 1/2"	3'4"	4'8"	Fleetwood	Everest 850-C	Screens	black
W 04	4'0"	5'0"	Bi-parting Casement	Square	✓	thermal, tinted	Thermal E			FALSE	4'0 1/2"	5'0 1/2"	4'8"	5'4"	Fleetwood	Everest 850-C	Screens	black
W 05	4'0"	5'0"	Casement	Square	✓	thermal, tinted	Thermal E			FALSE	4'0 1/2"	5'0 1/2"	4'8"	5'4"	Fleetwood	Everest 850-C	Screens	black
W 06	3'6"	3'0"	Casement	Square	✓	thermal, tinted	Thermal E			FALSE	3'6 1/2"	3'0 1/2"	4'0"	3'4"	Fleetwood	Everest 850-A	Screens	black
W 07	3'6"	3'0"	Casement	Square	✓	thermal, tinted	Thermal E			FALSE	3'6 1/2"	3'0 1/2"	4'0"	3'4"	Fleetwood	Everest 850-A	Screens	black
W 08	3'6"	3'0"	Casement	Square	✓	thermal, tinted	Thermal E			FALSE	3'6 1/2"	3'0 1/2"	4'0"	3'4"	Fleetwood	Everest 850-A	Screens	black
W 09	4'0"	5'0"	Casement	Square	✓	thermal, tinted	Thermal E			FALSE	4'0 1/2"	5'0 1/2"	4'8"	5'4"	Fleetwood	Everest 850-C	Screens	black
W 10	8'0"	4'10"	Horizontal Slider	Square	✓	thermal, tinted	Thermal E			FALSE	8'0 1/2"	4'10 1/2"	8'8"	5'4"	Fleetwood	Everest 850-HS	Screens	black
W 11	3'0"	5'0"	Fixed Glass	Square	✓	thermal, tinted	Thermal E			FALSE	3'0 1/2"	4'10 1/2"	3'4"	5'4"	Fleetwood	Everest 850 custom	Screens	black
W 13	7'6"	5'0"	Bi-parting Casement	Square	✓	thermal, tinted	Thermal E			FALSE	6'0 1/2"	5'0 1/2"	6'8"	5'4"	Fleetwood	Everest 850 custom	Screens	black
W 14	5'0"	2'6"	Horizontal Slider	Square	-	thermal, tinted	Thermal E			TRUE	5'0 1/2"	2'0 1/2"	5'4"	2'8"	Fleetwood	Everest 850 custom	Screens	black
W 15	3'6"	3'0"	Casement	Square	✓	thermal, tinted	Thermal E			FALSE	3'6 1/2"	3'0 1/2"	4'0"	3'4"	Fleetwood	Everest 850-A	Screens	black
W 16	3'6"	3'0"	Casement	Square	✓	thermal, tinted	Thermal E			FALSE	3'6 1/2"	3'0 1/2"	4'0"	3'4"	Fleetwood	Everest 850-A	Screens	black
W 17	3'6"	3'0"	Casement	Square	✓	thermal, tinted	Thermal E			FALSE	3'6 1/2"	3'0 1/2"	4'0"	3'4"	Fleetwood	Everest 850-A	Screens	black



No.	Date	Issue Notes
B	10/30/12	major door and window revision
A	10/12/12	Add Door and Window Schedule
		
Design Firm Finn & Assoc. Ltd. 2205 Departure Bay Road Nanaimo, BC 250-739-8854 www.finnassoc.com		
Consultant Kevin and Carla Thomson New Residence Phantom Road		
Drawing Title Door Schedule Window Schedule		
Project Manager	R. Finnegan	Project ID: 1205
Drawn By	R. Finnegan	Scale: 1/4"
Reviewed By		Drawing No.
Date	2012-10-12	A140
CAD File Name	1205 WD-2012-10-30	of 23

1 2 3 4 5 6 7
 I H G F E D C

10 Fixed glass Fleetwood Kona 3800 Window-Wall System, c.w. operable awning window inserts as indicated, Clear anodized finish, tint as per owner spec

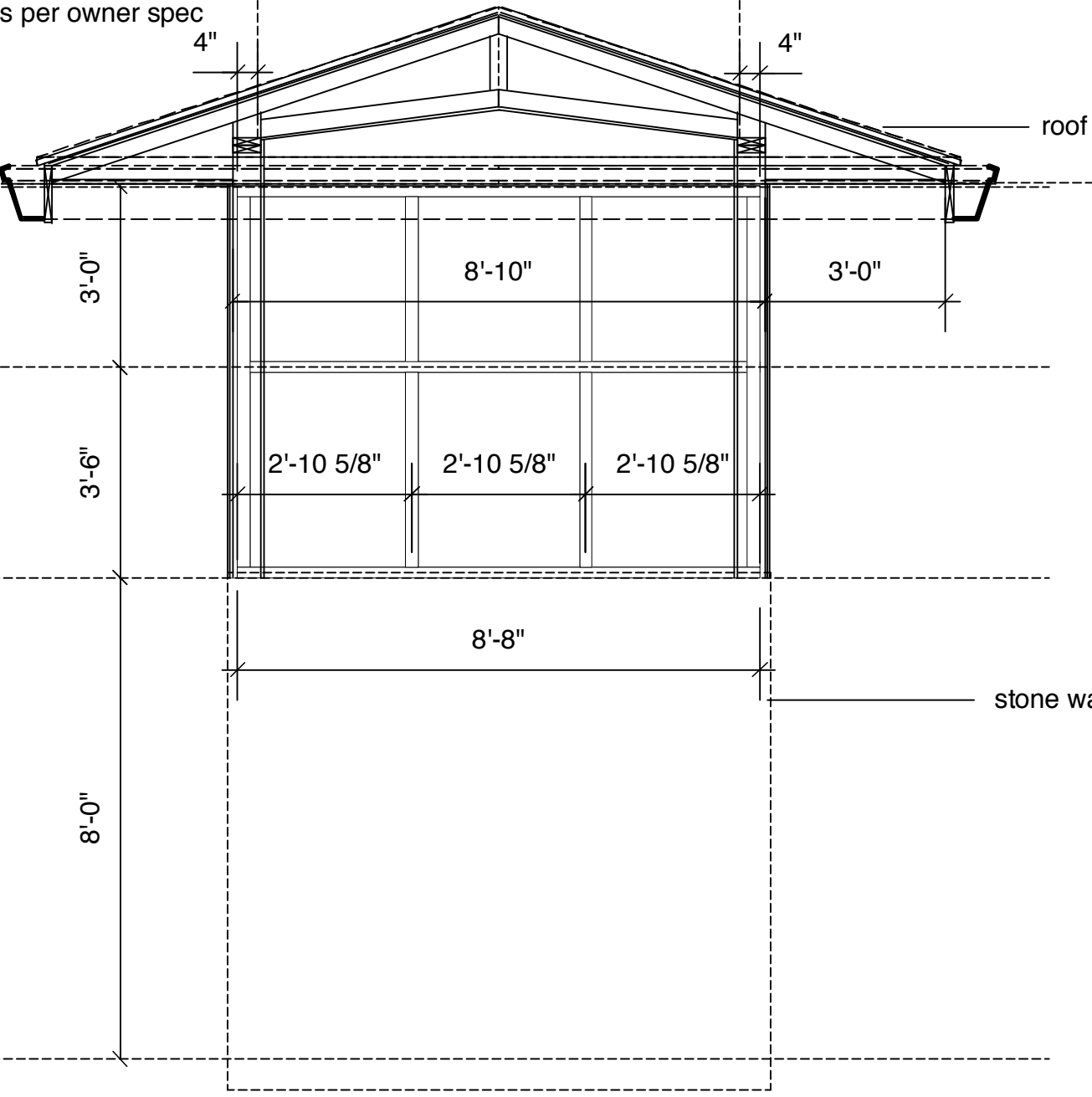
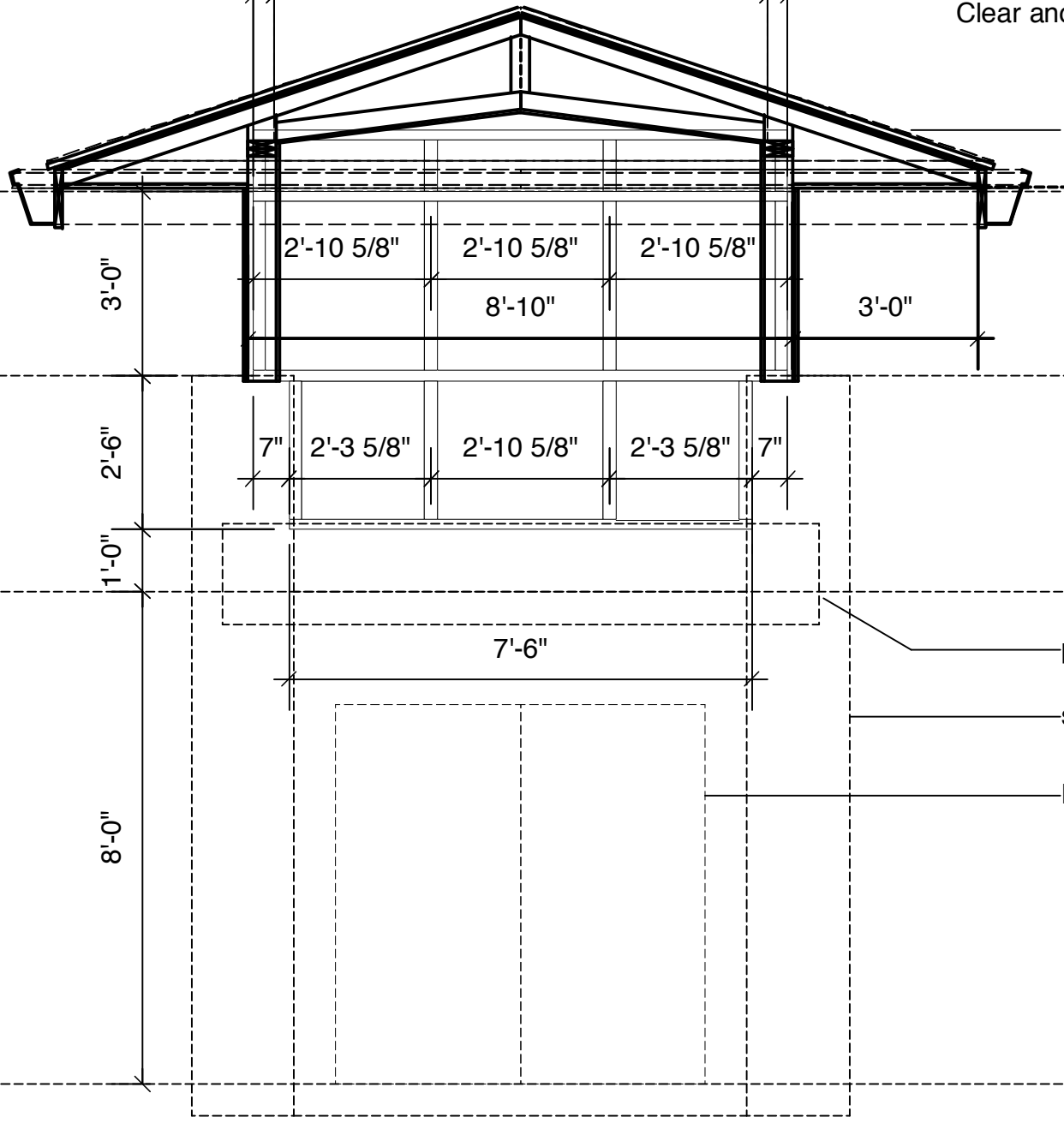


331.5 top of Ridge
 5'-6"
 326.0 top of Parapet
 325.0 top of Roof
 11'-0" 2'-0"
 323.0 u/s of Clg.
 322.0 u/s Head of window/door
 8'-1"
 314.0 Main Floor

1 Side Elevation
 A141 Scale: 3/8" = 1'-0"

06 07 07 06

10 Fixed glass Fleetwood Kona 3800 Window-Wall System, c.w. operable awning window inserts as indicated, Clear anodized finish, tint as per owner spec



2 Front elevation
 A141 Scale: 3/8" = 1'-0"

3 Rear elevation
 A141 Scale: 3/8" = 1'-0"



No.	Date	Issue Notes
A	10/12/12	Add Door and Window Schedule
Design Firm Finn & Assoc. Ltd. 2205 Departure Bay Road Nanaimo, BC 250-739-8854 www.finnassoc.com		
Consultant 		
Project Title Kevin and Carla Thomson New Residence Phantom Road		
Drawing Title Curtain Wall Details		
Project Manager	R. Finnegan	Project ID 1205
Drawn By	R. Finnegan	Scale 3/8"
Reviewed By		Drawing No. A141
Date	2012-10-12	of 23
CAD File Name 1205 WD-2012-10-30		